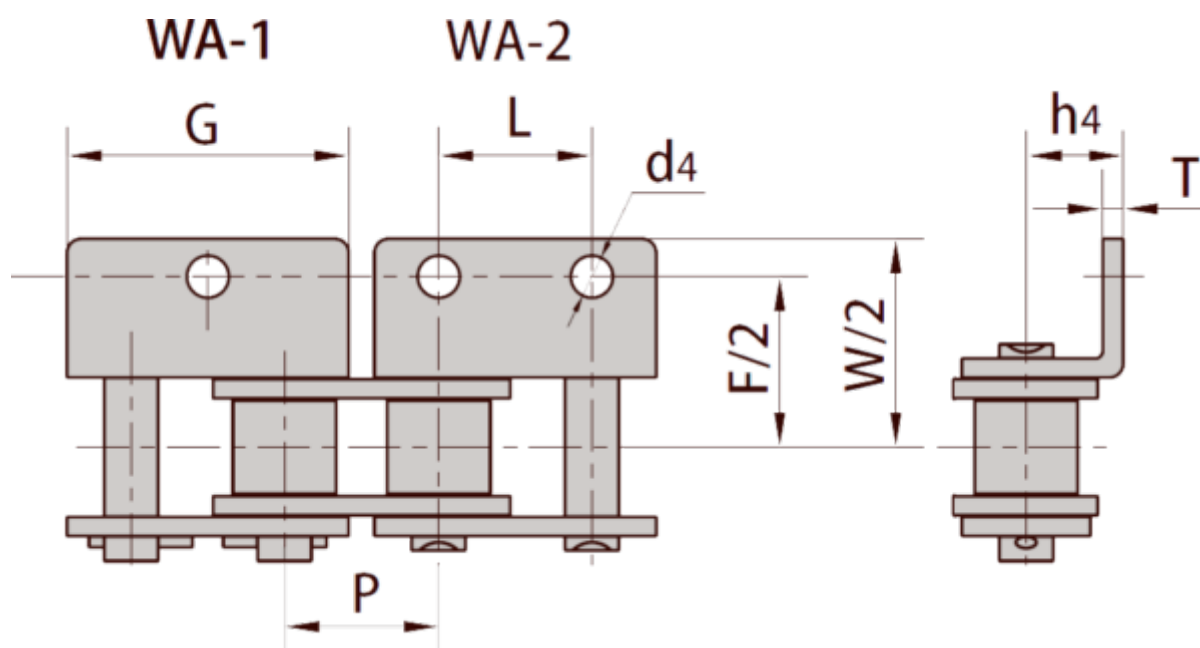


Article number: 6100110051031

Description: 08B1

WA1 angled one hole attachment link, spring clip type

Measures



d4 = 4.30
F = 24.40
G = 24.00
h4 = 8.90
L = 12700
P = 12700
T = 1.60
W = 36.4